

**Schoodic National Scenic Byway – Sullivan Kids Quest Meeting
Gordon's Wharf
11/15/2012**

Attending: Larry Johannesman, Jim Fisher, Gary Edwards, Jean Edwards, Barbara Bowen, Marty Anderson, Steve Perrin, Frank Dorsey

Frenchman Bay Turnout

- Binoculars
- ADA – Kids Access – better too low
- Swivel to allow a pedestal on the side?
- Need to maintain vegetation
- Next step- Propose a specific solution



Long Cove

- Location
 - Center near primary entrance
 - Move the picnic table to the right
- Tusk (up to 15') or Bone (6')
- Tusk as gateway for the site
- Tracks – to denote the size of the mammoth
 - Concrete – Luna form (Dan)
- Story board
- Hair up to one meter in length – fiber artist contribution
 - Needs to hold up in the weather
 - Fire risk
 - Might make sense to send people to Gordon's Wharf to see the pelt with a reciprocal reference back to Long Cove
- Story
 - Epoc
 - Interglacial period
 - Timeline on the bottom of the sign
 - Climate – cold – ice age
 - Glacial striations
 - Extinction
 - Link to the Maine Ice Age Trail
- Action:
 - Jim- follow up with Luna Form



Gordon's Wharf

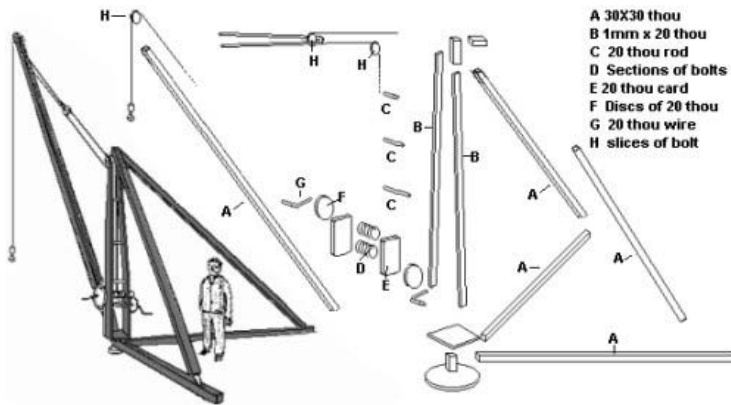
- Lobster Trap
 - Full sheets
 - Stainless steel hog rings

- Builders
 - Friendship Trap –
 - Vern Shay Trap maker – Sullivan – Thorn Road
 - Gary will talk with him about the idea

Prospect Harbor Site – with reciprocal reference with Gordon’s Wharf

Granite Exhibit

- Human powered derrick / crane for lifting granite
- Kids – like back hoe digging toy in sand box
 - Lifting rocks with the derrick
 -



http://www.northerntool.com/shop/tools/product_74569_74569

- Cut blocks to size – progression of granite from rough stone to polished counter?
- Story board
 - Cobble production
 - Newly cut cobbles
 - Pictures from Broadway

Other Gordon’s Wharf Interpretation

- Sullivan Geology
 - Plutons
 - Granite mining
- Taunton Bay Ecology
 - Eco-zones
 - Where fresh water meets salt water
 - Impact of salinity
 -
 - Depth Zones
 - Channel – always submerged
 - Sub-tidal- eel grass
 - Tidal (flats)



Figure 1Prospect Harbor Site